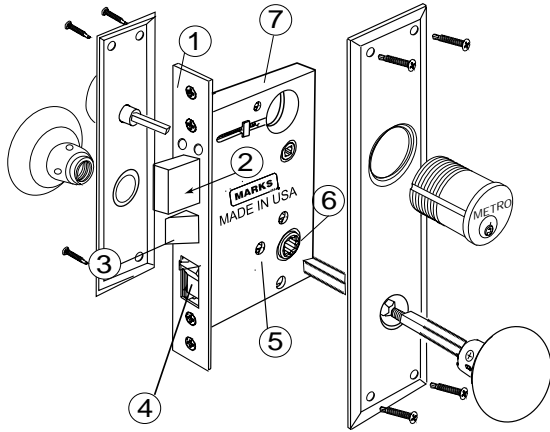


# CUSTOM LOCK DIVISION

## METRO ENTRANCE MORTISE LOCKSET

Series	Function	Finish	Option
<b>91</b>	<b>A</b>	<b>3</b>	<b>X</b>

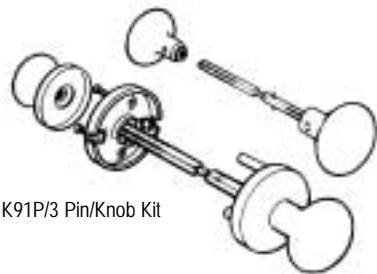
# Series 91



For pricing, availability and minimum quantities, consult factory

MARKS # FUNCTION	FINISH GROUPS
<b>KEYED SINGLE CYLINDER, NO DEADBOLT</b>	
D, DW	115
<b>KEYED SINGLE CYLINDER, WITH DEADBOLT</b>	
A	115
F	131
<b>PIN/KNOB KIT</b>	
K91P/3 For 1-3/4" Door thickness	19

Packed **12** PER CASE



K91P/3 Pin/Knob Kit

### Trim Specifications:

**Exterior:** Steel reinforced brass plates with cylinder recess, 10" x 2-3/4". Polished brass finish (US 3). Wrought brass, knob, 2-1/4" diameter with two set screws. Two piece 9/32" steel swivel spindle.

**Interior:** Steel reinforced plate 7" x 2-1/4". Polished brass finish (US 3). Wrought brass knob, 2-1/4" diameter with two set screws.

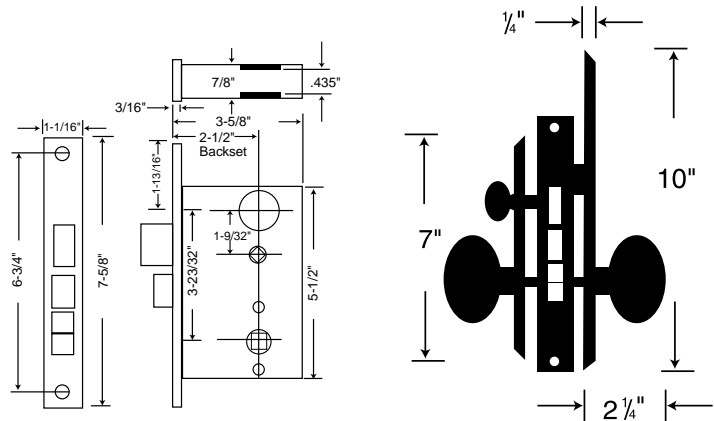
**Cylinder:** 1-1/8" long solid brass, 6 pin with 2 keys.

**Strike:** 4-7/8" x 1-1/4" x 3/32" thick, 5/8" curved lip. Conforms to ANSI spec., A115.1.

**Door Thickness:** 1-5/8" to 2-1/4" standard.

### Lock Specifications: 9 Series (2-1/2" Backset)

- Lock Front:** 7-5/8" x 1-1/16" x 3/16" thick.  
Optional Front 8" x 1-1/4" steel backplate with brass cover plate.
- Deadbolt:** Cast 1" throw, steel reinforced.
- Latch:** Solid brass, 1/2" throw (reversible).
- Rocker Switch:** Locks or unlocks exterior lever.
- Hub Lock Arm:** (to lock hub) Steel 1/8" thick.
- Hubs:** 9/32" on square.
- Case:** High pressure cast Zamac, baked powder coat finish.



### OPTIONS

OPTION	CODE	PRICE (add)
91 Series Supplied with Pinned Outside Knob	A7	12